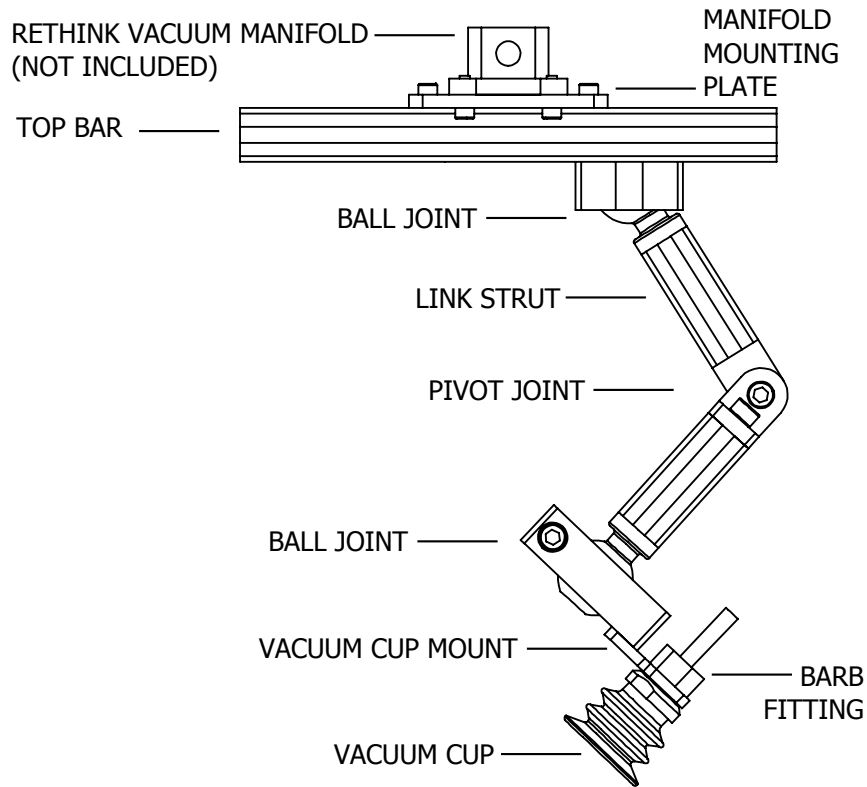
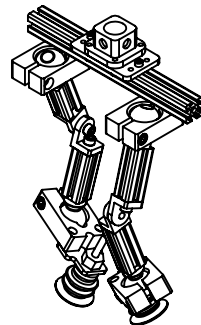


C Component Key



K Kit Contents

- 1x MANIFOLD MOUNTING PLATE
- 1x TOP BAR
- 4x BALL JOINTS
- 2x PIVOT JOINTS
- 4x LINK STRUTS
- 2x VACUUM CUP MOUNTS, G1/4"
- 2x VACUUM CUPS
- 2x BARB FITTINGS, G1/4"
- 500mm 6mm DIAMETER PU AIR HOSE



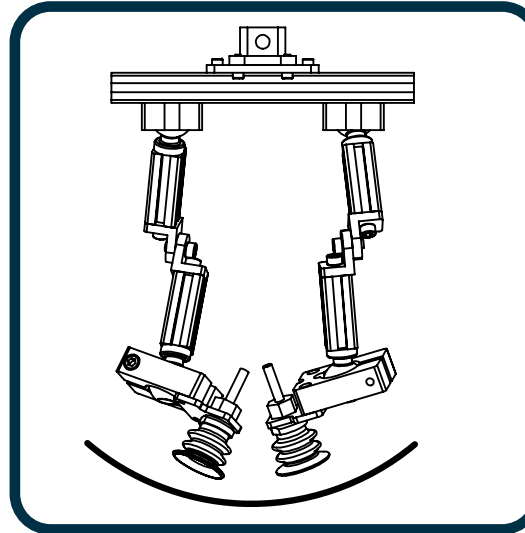
Flexible Vacuum Mounting Kit

Flexible Picking of Non-Standard Objects
for Application Prototyping

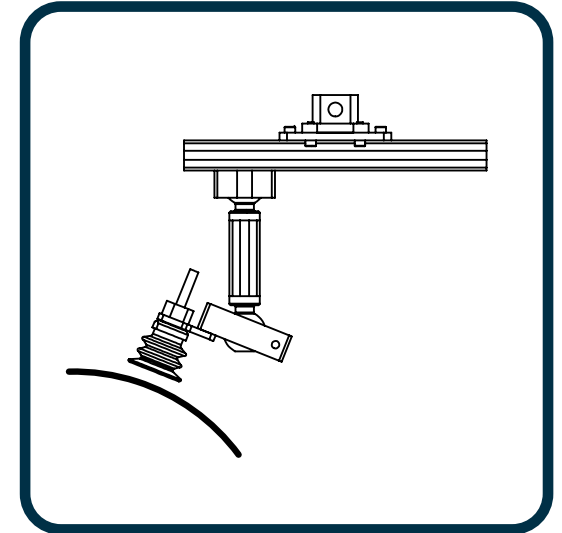
WWW.ACTIVE8ROBOTS.COM



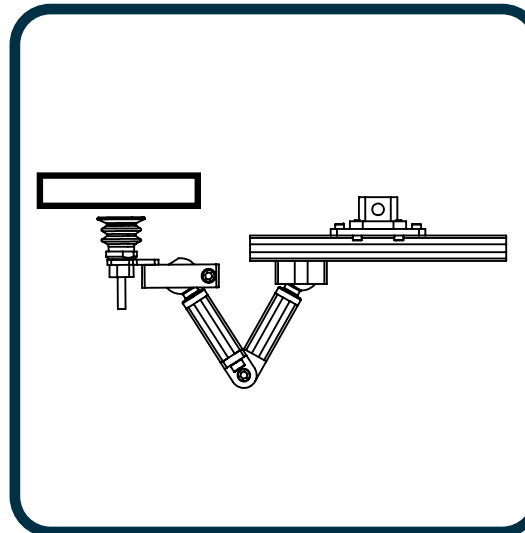
1 Double Concave Pick



2 Single Convex Pick



3 Single Ledge Pick



4 Double V Pick

