

Small Square Screw Plate (585478)

Actobotics™ DREAM. DESIGN. BUILD. REPEAT.



Fig. 1



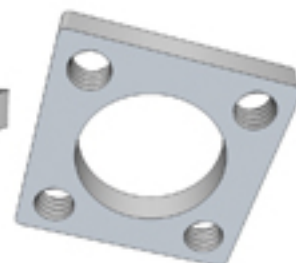
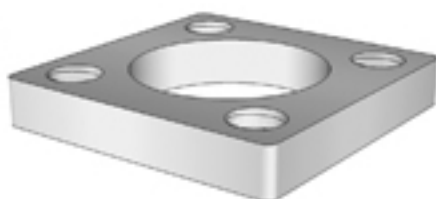
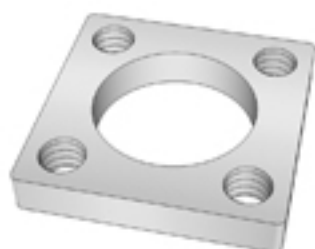
Fig. 2

Stainless Steel



Fig. 3

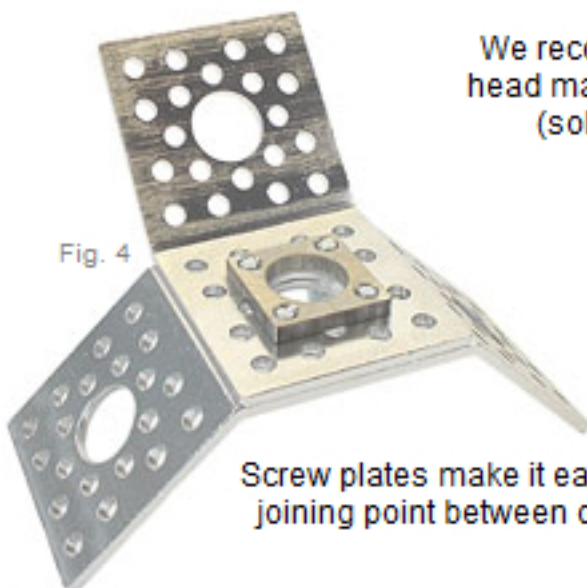
Weight: 0.20 oz (each)



We recommend using 6-32 socket head machine screws with this plate (sold separately)

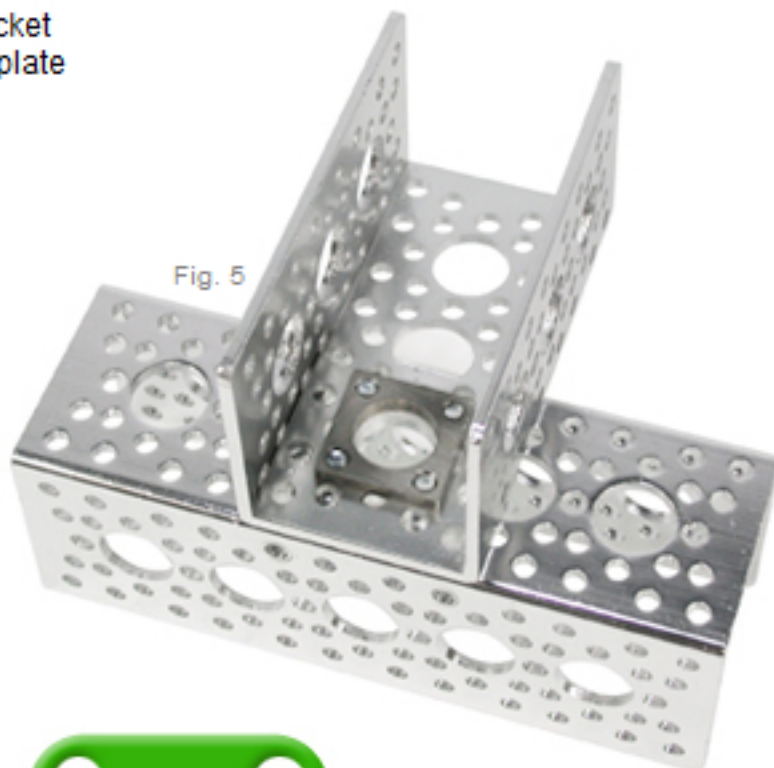


Fig. 4



Screw plates make it easy to create a strong joining point between our channel pieces.

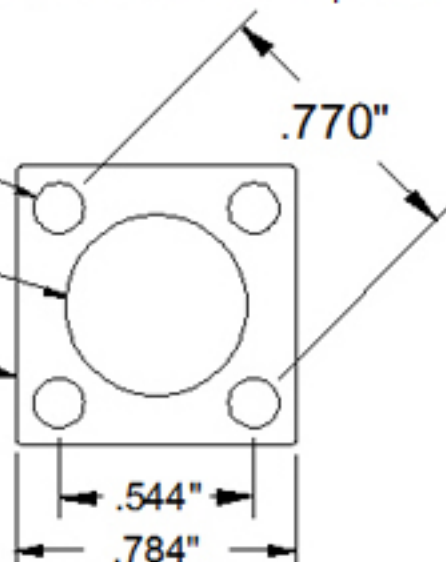
Fig. 5



6-32 Tapped (x4)

.50" Dia.

.125" Wall



Utilizes a .770" hub pattern.

Shown attaching two pieces of [channel](#) using (4) [6-32 socket head machine screws](#).