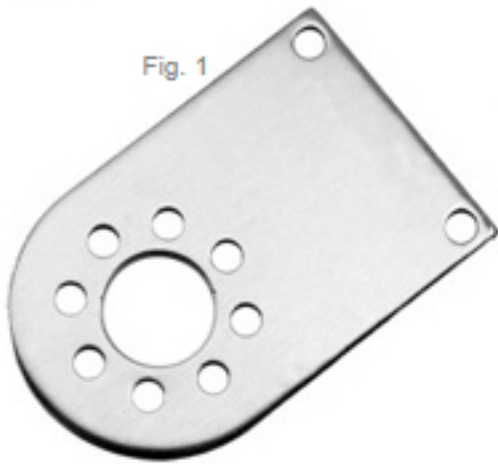


Flat Bracket A (585582)

Actobotics™

DREAM. DESIGN. BUILD. REPEAT.

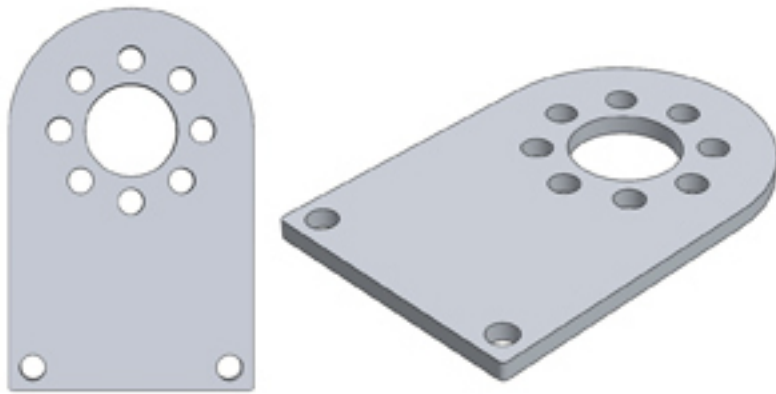
Fig. 1



Use 6-32 socket head machine screws with this bracket (sold separately)

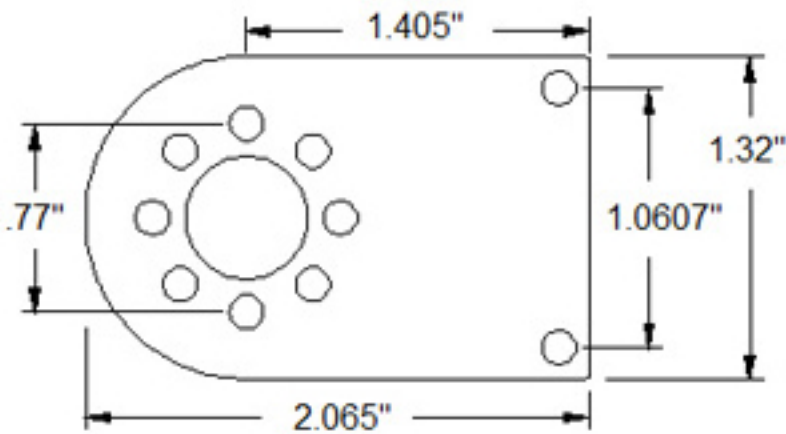
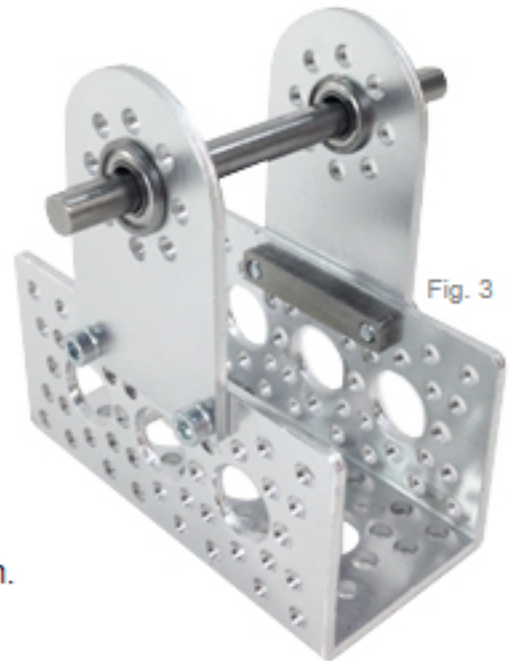


Fig. 2



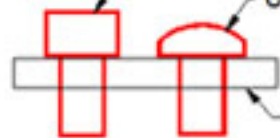
Utilizes the .770" hub pattern.

Fig. 3



6-32 x .25" Socket Head Screw

6-32 x .25" Phillips Head Screw



Channel or Channel Bracket
(.09" Thick)

Fig. 4

