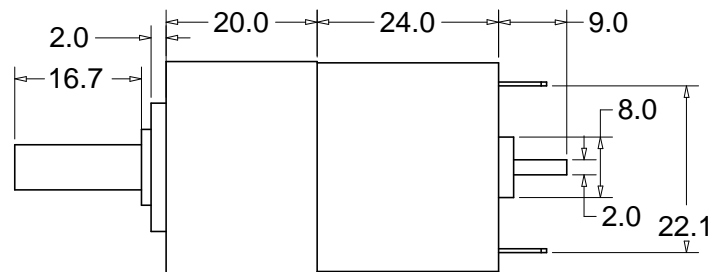
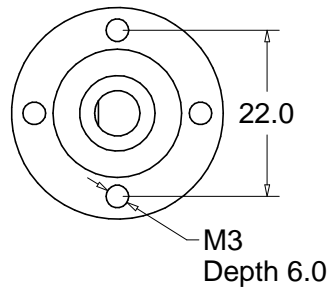
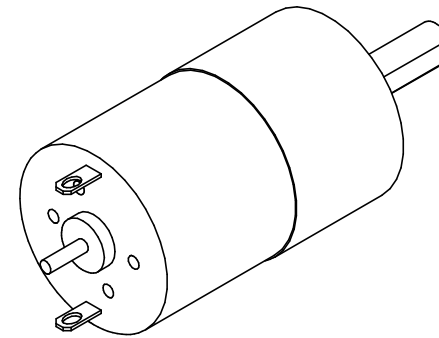
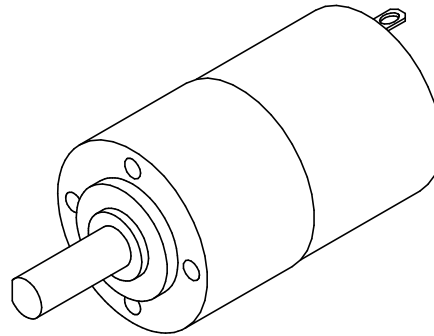
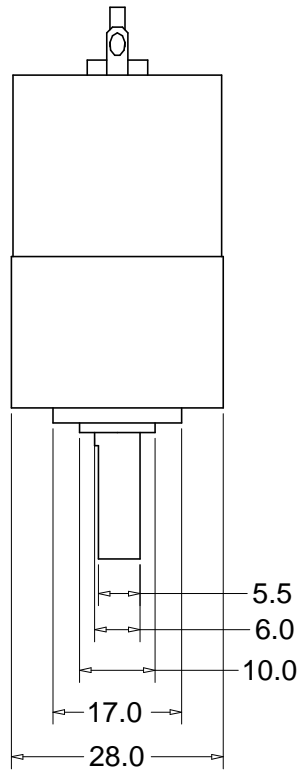




# DC Motor - 12V/2.9W

## Mechanical Drawing



Part Number	Length "L"(mm)
3261_0	31.5
3262_0	40.0
3263_0	48.5
3264_0	48.5

Units are in mm