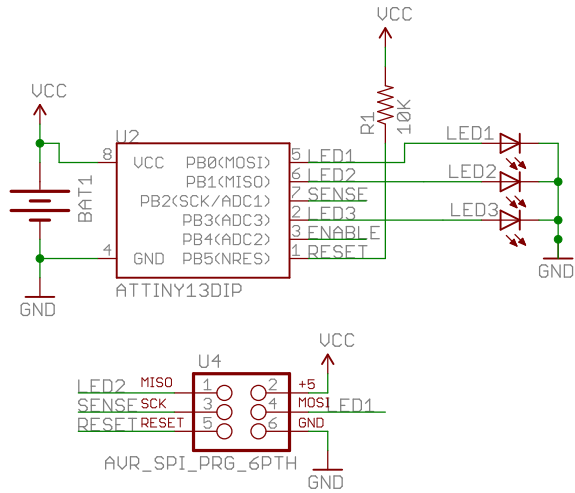
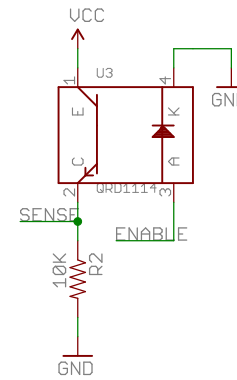


Microcontroller (ATtiny13U) and LEDs



Infrared Sensor/Emitter (QRD1114)



SFE

TITLE: Graffiti_Board-v03-Normal

Document Number:

REV:

Date: 10/22/2008 6:34:26 PM

Sheet: 1/1