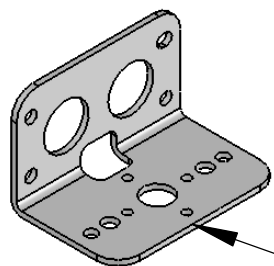


Universal Bracket Kit - Parts List



① Universal Bracket - 1 Off



② Grommet - 2 Off



③ Screw, M3 x 12 Hex. Hd. - 2 Off



④ Spacer - 2 Off



⑤ Washer, M3 - 2 Off



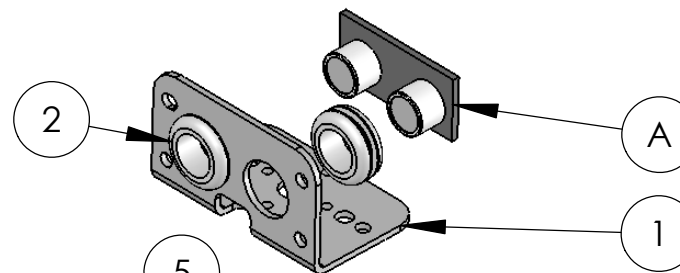
⑥ Dome Nut, M3 - 2 Off

Ⓐ Ultra-Sonic Sensor Types:
Devantech: SRF10

Ⓑ Ultra-Sonic Sensor Types:
Devantech: SRF04/SRF05/SRF08

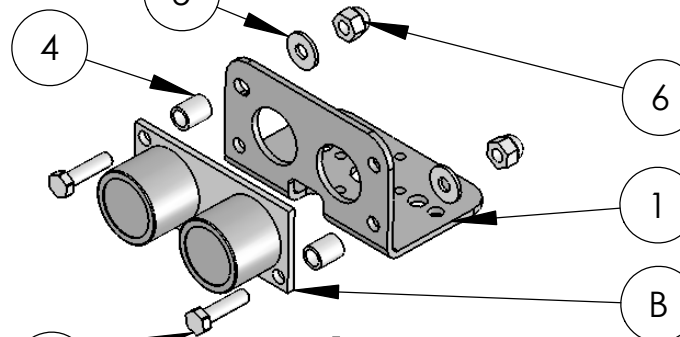
Ⓒ Infra-Red Sensor Types:
SHARP: GP2D12/GP2D15/
GP2D120/GP2Y0A21YK/
GP2Y0A02YK/GP2Y0D02YK
/DP2D02

Universal Bracket - Assembly Diagrams

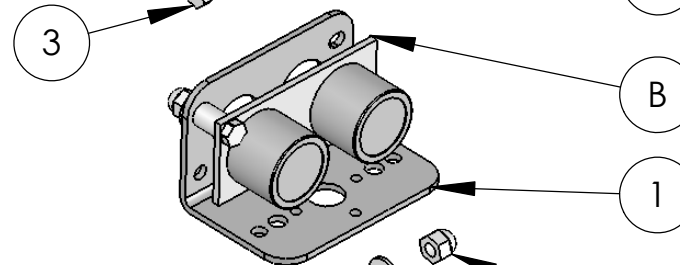


Universal Bracket
with small PCB
Devantech Sensors

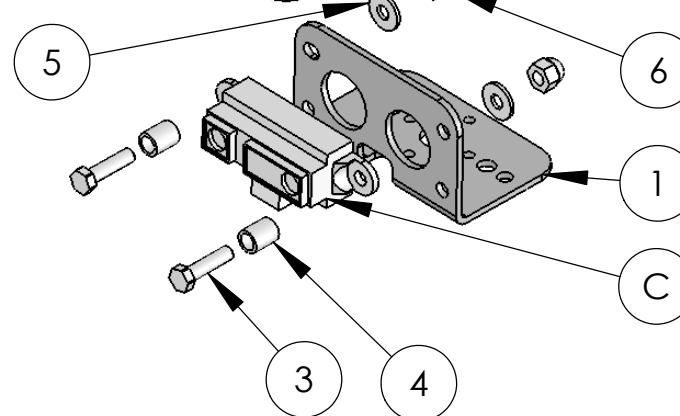
Apply a small amount
of lubricant to Sensor
barrels before fitting
into Grommets



Universal Bracket
with large PCB
Devantech Sensors



Universal Bracket
with large PCB
Devantech Sensors
in alternative posn.



Universal Bracket
with Sharp Infra-
Red Sensors