

PN: MMBCON (Motor Mind B Connector)

The Motor Mind B connector is a connector that allows the Motor Mind B to be loaded horizontally onto a printed circuit board. This can be useful in applications where height restrictions prevent vertical mounting of the Motor Mind B. It can also allow the customer to make use of the mounting holes on the Motor Mind B PCB to provide mounting stability in vibration prone systems.

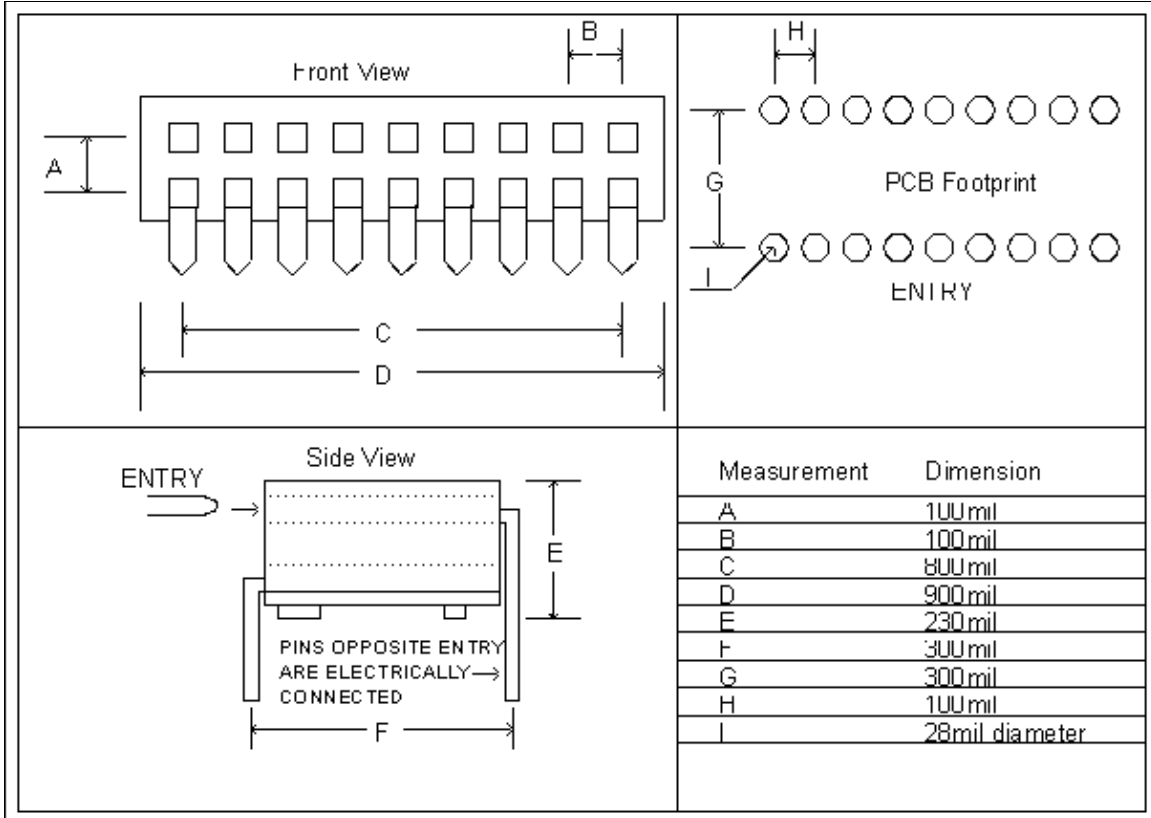


Figure 1 Mechanical Drawings

Technical Information

Property	Specification
Current Rating	3A
Temperature Range	-65C to +125C
Plating Specification	BE class 2 gold
Mating Cycles	200
PCB Thickness	0.062 in. or 0.093 in.
Applicable Soldering Practice	Wave
Approvals	UL, CSA
Manufacturer	FCI-Berg (DUBOX)

Pricing (Retail)

Quantity	1-9	10-24	25-99	100+
Price	6.00	5.00	4.00	3.00