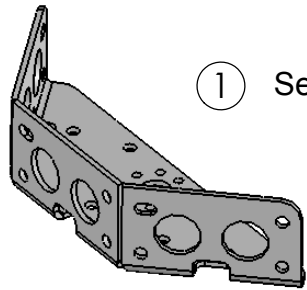


# Sensor Panning Bracket Kit - Parts List

# Assembly Diagrams



① Sensor Panning Bracket - 1 Off



② Grommet - 6 Off



③ Screw, M3 x 12 Hex. Hd. - 6 Off



④ Spacer - 6 Off



⑤ Washer, M3 - 6 Off



⑥ Dome Nut, M3 - 6 Off



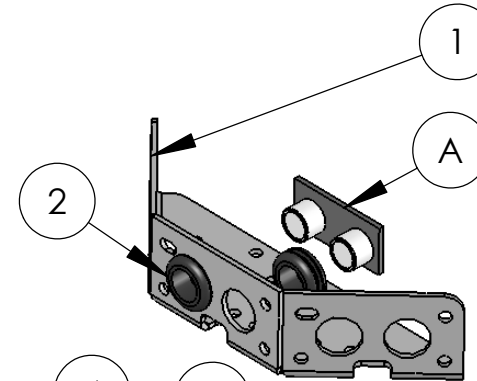
Ultra-Sonic Sensor Types:  
Devantech: SRF10



Ultra-Sonic Sensor Types:  
Devantech: SRF04/SRF05/SRF08

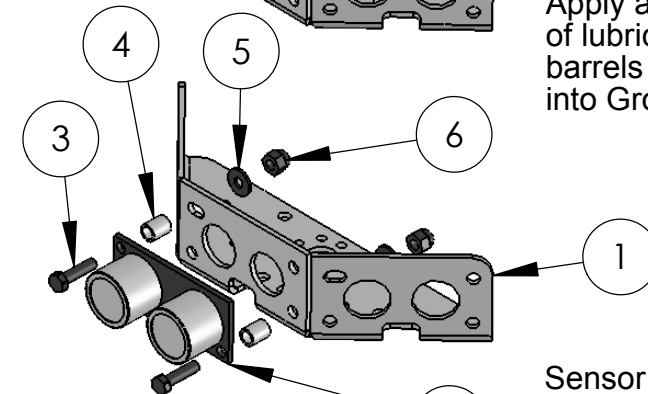


Infra-Red Sensor Types:  
SHARP: GP2D12/GP2D15/  
GP2D120/GP2Y0A21YK/  
GP2Y0A02YK/GP2Y0D02YK  
/DP2D02

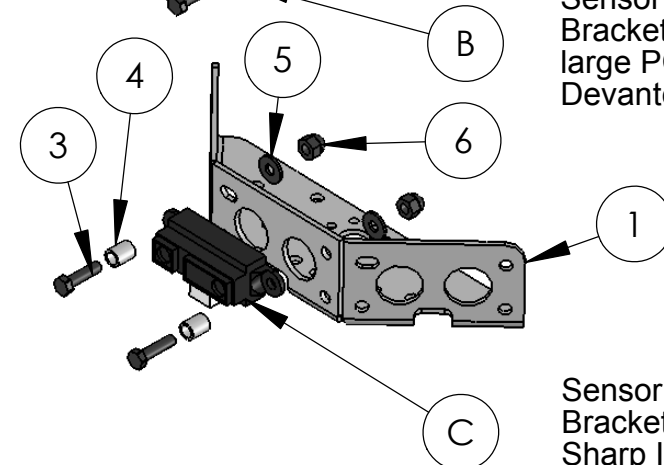


① Sensor Panning Bracket with small PCB Devantech Sensor

Apply a small amount of lubricant to Sensor barrels before fitting into Grommets



① Sensor Panning Bracket with large PCB Devantech Sensor



① Sensor Panning Bracket with Sharp Infra-Red Sensor